

**ROLL FEEDER CONNECTOR
TYPE 830 (A384)**

PARTS CATALOG

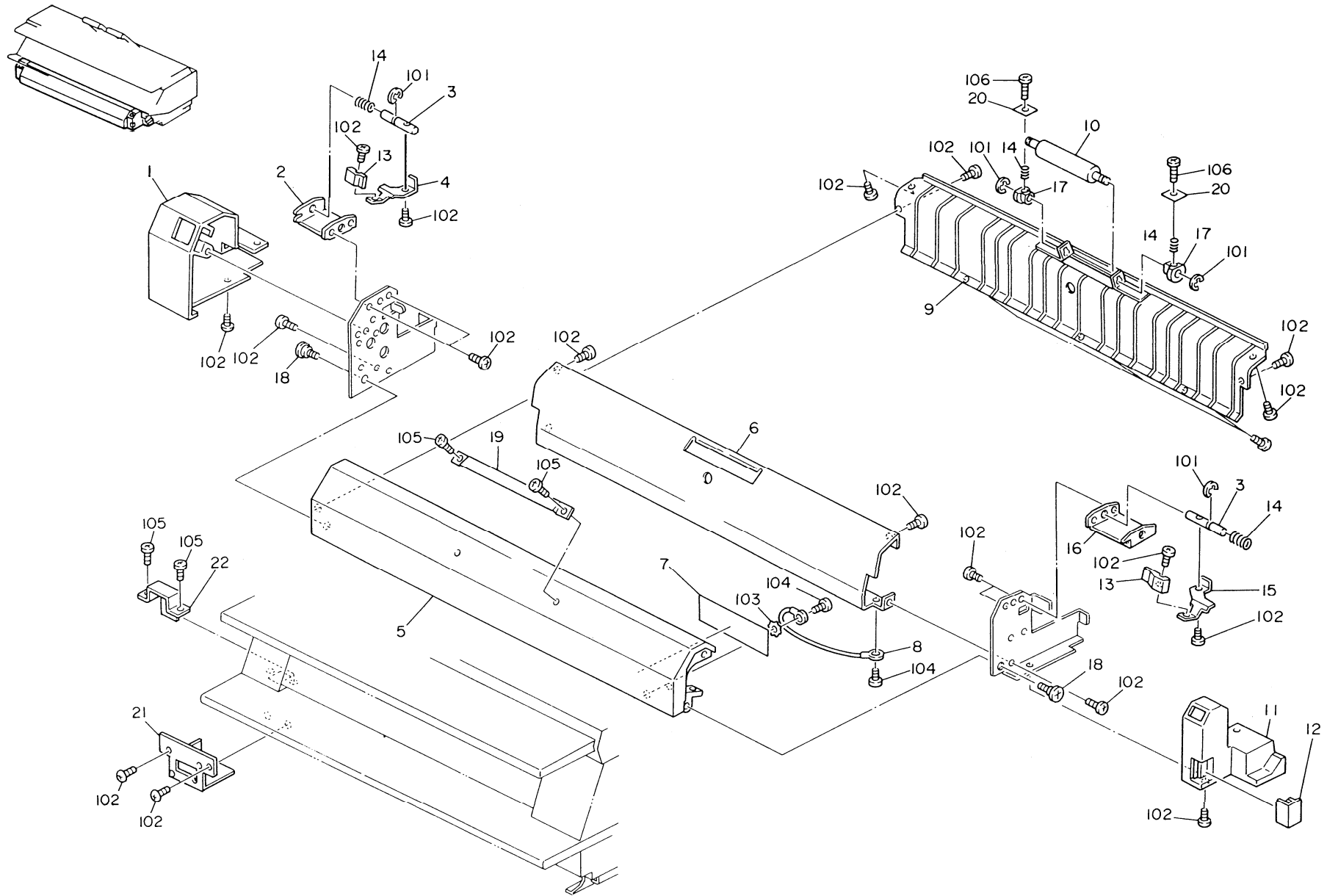
INTRODUCTION

This chapter instructs you the numbers and names of this parts on this machine.

INDEX to PARTS CATALOG

1. Exterior (A384)	2
2. Registration Roller (A384)	4
Parts Index	7

1. EXTERIOR (A384)

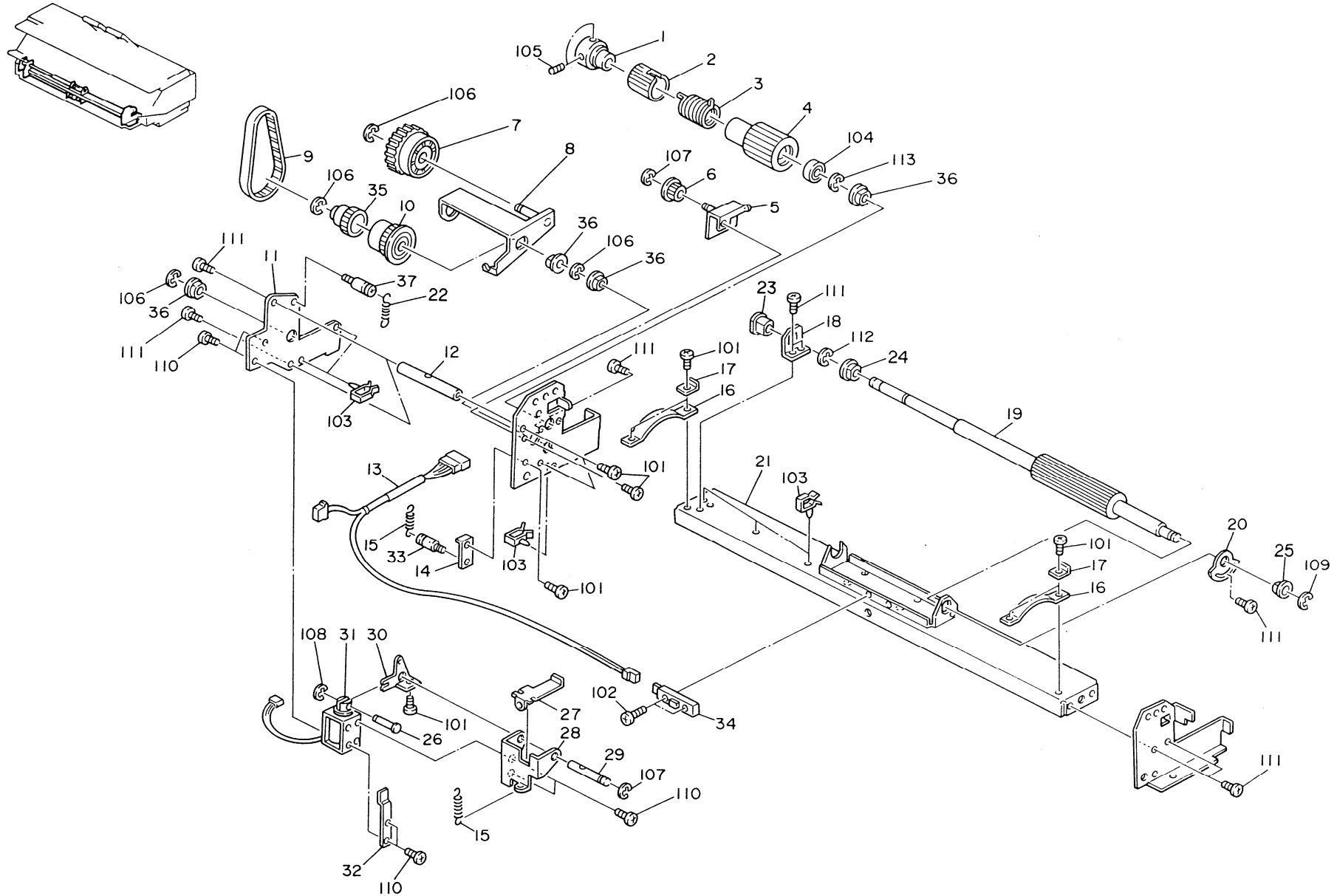


1. EXTERIOR (A384)

Index No.	Part No.	Description	Q'ty Per Assembl]
1	A453 1250	Left Cover	1
2	A453 2602	Left Lock Bracket	1
3	AA14 5084	Lock Shaft - Front Cover	2
4	A453 2603	Left Release Lever	1
5	A453 3867	Front Cover	1
6	A384 2846	Middle Guide Plate	1
8	A023 5383	Grounding Wire	1
9	A453 3859	Front Cover	1
10	AF02 0108	Paper Feed Roller - Middle	1
11	A384 1256	Right Cover	1
12	A384 1257	Right Small Cover	1
13	A453 2605	Lock Release Knob	2
14	67922298	Spring - Exit	4
15	A453 2613	Right Release Lever	1
16	A453 2612	Right Lock Bracket	1
17	52052697	Bushing - Upper Registration Roller	2
18	AA14 3129	Shoulder Screw - Front Cover	2
19	A453 3856	Cover - Adjusting Screw	1
20	A453 3871	Outer Guide Plate	2
21	A453 3001	Connector - Paper Feed Unit	1
22	A453 3005	Bracket - Cassette Relay Harness	1

Index No.	Part No.	Description	Q'ty Per Assembl)
101	0720 0040Z	Retaining Ring - M4	
102	0313 0060B	Philips Pan Head Screw - M3x6	
103	0705 0030C	Toothed Washer - M3	
104	095130066	Philips Screw with Flat Washer - M3x6	
105	0344 0060F	Philips Truss Head Screw - M4x6	
106	0960 3008B	Philips Flange Screw - M3 x 8	

2. REGISTRATION ROLLER (A384)



2. REGISTRATION ROLLER (A384)

Index No.	Part No.	Description	Q'ty Per Assembly
1	AB04 2002	Clutch Sleeve - Paper Feed	1
2	AB04 3002	Spring Clutch Sleeve	1
3	AB04 4002	Spring Clutch	1
4	A453 2686	Pulley - 43Z	1
5	A453 2581	Pulley Bracket	1
6	AB03 0091	Pulley - 22Z	1
7	AB01 3354	Gear - 34Z	1
8	A453 2676	Idler Shaft Arm	1
9	AA04 3035	Timing Belt - 190XL	1
10	A453 2688	Pulley - 49Z	1
11	A453 2691	Side Plate Bracket - Left	1
12	AA14 5082	Stud - Side Plate Bracket	2
13	A384 5312	Paper Feed Harness	1
14	A453 2571	Arm Stopper	1
15	52082672	Spring -solenoid Release	2
16	A453 3660	Front Cover Stopper	2
17	A453 2662	Spacer	4
18	A453 2647	Clutch Bracket	1
19	AF02 0110	Transport Roller	1
20	A453 2645	Adjusting Bushing	1
21	A384 2638	Paper Feed Roller Stay	1
22	AA06 0180	Spring - Sp Clutch Pawl	1
23	52052865	Bushing - Paper Feed Roller	1
24	54143327	Bushing - 12x1 8x8	1
25	AA08 2019	Stopper Plate	1
26	58942229	Solenoid Pin	1
27	AB04 5004	Spring Clutch Pavd	1
28	A453 2706	Solenoid Bracket	1
29	AA14 5083	Shaft - Pick-off Pawl	1
30	A453 2707	Spring Clutch Lever	1
31	54285090	DC Solewoid - DC 24V	1
32	A453 2702	Solenoid Stopper	1
33	AA14 3045	Stud	1
34	59185722	Photosensor	1
35	A384 2671	Gear - 33Z	1

Index No.	Part No.	Description	Q'ty Per Assembly
36	53041639	Bushing - 8mm	4
37	54152875	Spring Anchor	1
101	0313 0060B	Philips Pan Head Screw - M3x6	
102	0313 0100B	Philips Pan Head Screw - M3x1 O	
103	11050087	Clamp	
104	08053270	Ball Bearing - 8x1 6x5mm	
105	0574 0040E	Hexagon Headless Set Screw - M4x4	
106	0720 0060Z	Retaining Ring - M6	
107	0720 0040Z	Retaining Ring - M4	
108	0720 0025Z	Retaining Ring - M2.5	
109	0720 0070Z	Retaining Ring - M7	
110	0313 0040B	Philips Pan Head Screw - M3x4	
111	0314 0060B	Philips Pan Head Screw - M4x6	
112	0720 0100Z	Retaining Ring - M1O	